

AXTech Polska supplies lifting and material handling solutions for use in harsh marine environments.

Axtech Polska provides engineering, production supervision and rope spooling services.

We participate in number of multidiscipline projects for offshore market together with AXTech AS.

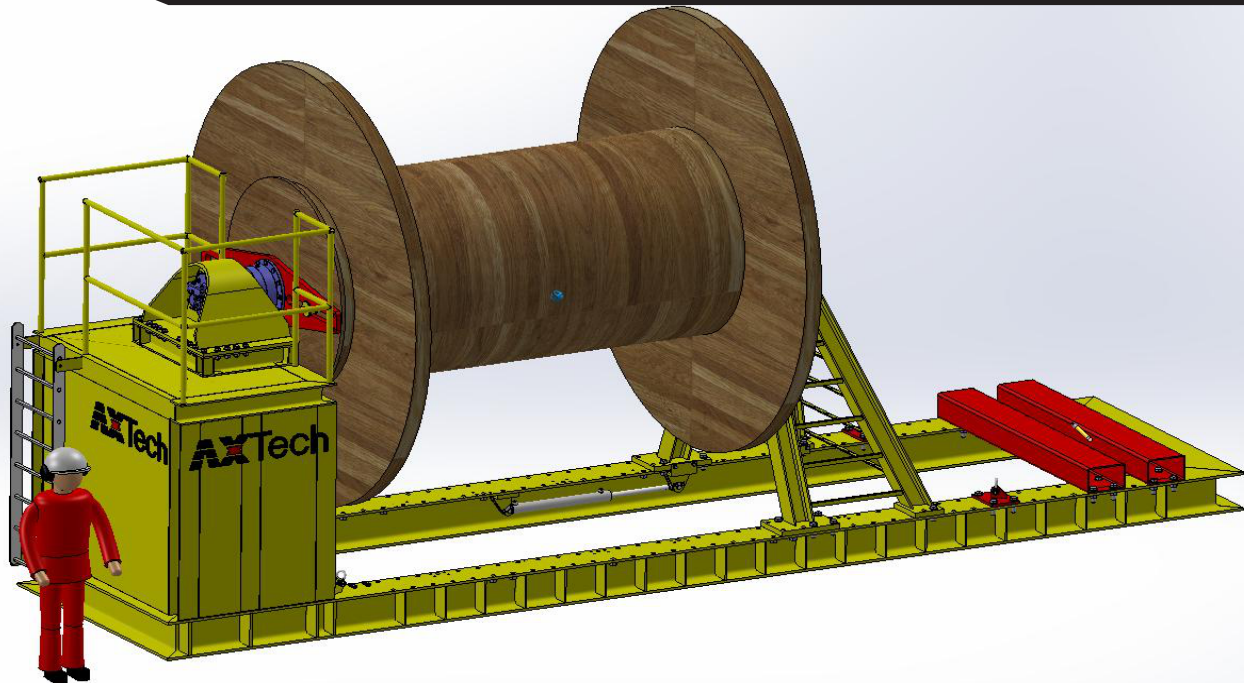


AXTech Polska can provide following products & services:

- A vast range of lifting and material handling equipment
- Mechanical design from 3D model and structural analysis to production drawings
- Assembly process planning and follow up
- Steel structure production supervision and follow up: from material verification to welding supervision to painting supervision and final inspection of the product
- Verification and completion of production documentation
- Testing and commissioning of products / systems

AXTech Polska Sp. z o.o.

81-061 Gdynia
Hutnicza 24
+48 666 345 540
office@axtech.pl
www.axtech.pl

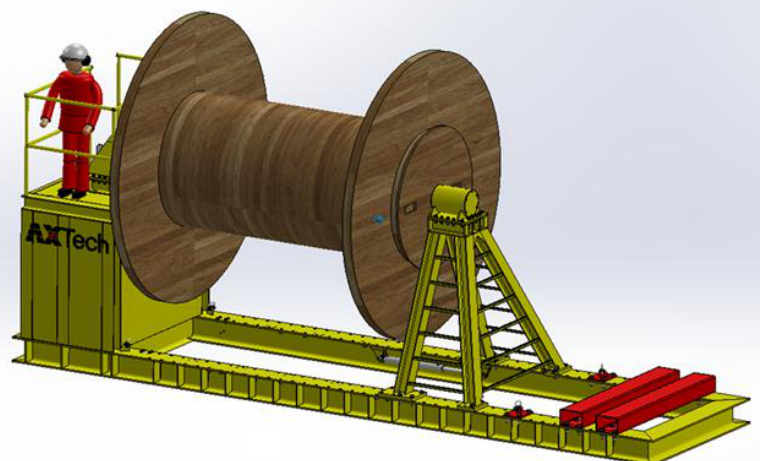


Spooler is designed to safely perform spooling operations. Spooler and HPU are split into sub-assemblies to allow packing for easier transportation.

Spooler capacity:

Tension 20kN @ Ø3,5m drum
Reeving speed up to 25m/min
Reels size limits up to Ø3,5 x 3,5m

Max reel weight 60tons



AXTech Polska Sp. z o.o.

81-061 Gdynia
Hutnicza 24
+48 666 345 540
office@axtech.pl
www.axtech.pl